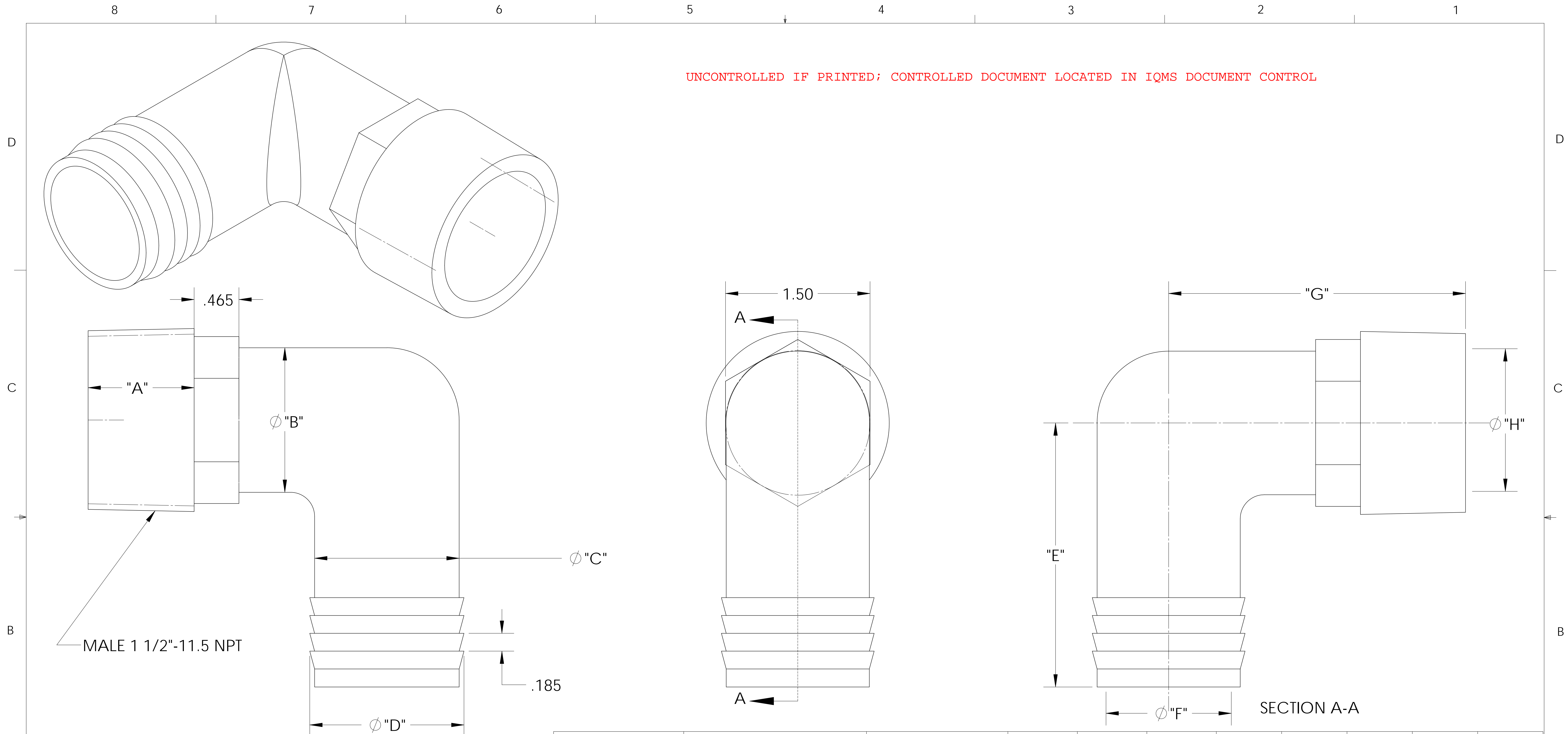


UNCONTROLLED IF PRINTED; CONTROLLED DOCUMENT LOCATED IN IQMS DOCUMENT CONTROL



CATALOG NO.	DESCRIPTION	MATERIAL	DIM "A"	DIM "B"	DIM "C"	DIM "D"	DIM "E"	DIM "F"	DIM "G"	DIM "H"
TE202424/PP	1 1/2" NPT X 1 1/2" PP	POLYPROPYLENE	1.09	1.490	1.485	1.585	2.74	1.290	3.08	1.475
TE202424/N	1 1/2" NPT X 1 1/2" N	NYLON	1.10	1.500	1.500	1.600	2.77	1.300	3.10	1.480

NOTES:

- 1) POLYPROPYLENE HAS COLOR OPTIONS:
 BLACK = TE202424/PPB
 NATURAL = TE202424/PPN

PROPRIETARY AND CONFIDENTIAL
 THE INFORMATION CONTAINED IN THIS DRAWING IS THE SOLE PROPERTY OF THOGUS PRODUCTS COMPANY. ANY REPRODUCTION IN PART OR AS A WHOLE WITHOUT THE WRITTEN PERMISSION OF THOGUS PRODUCTS COMPANY IS PROHIBITED.

REV	WRO#	DESCRIPTION
		HISTORY

UNLESS OTHERWISE SPECIFIED:
 DIMENSIONS ARE IN INCHES
 TOLERANCES:
 ANGULAR: ±0.5°
 X.X = ± 0.1
 X.XX = ± 0.05
 X.XXX = ± 0.015
 REMOVE ALL SHARP EDGES AND BURRS
 BLEND ALL RADII TO 0.01IN
 INTERPRET GEOMETRIC TOLERANCING PER: ANSI Y 14.5 1994
 MATERIAL: PP, N
 FINISH: NA
 THIRD ANGLE PROJECTION:

	NAME	DATE
DRAWN	JRM	04/21/11
CHECKED	KDJ	04/21/2011
ENG APPR.	JM	04/22/2011
MFG APPR.	ML	04/22/2011
Q.A.	NJW	04/22/2011

Thogus You think it, we can make it...
 33490 PIN OAK, AVON LAKE, OH 44012

TITLE:
1 1/2" NPT X 1 1/2" BARB ELBOW

SIZE B	DWG. NO. TE202424	REV C
SCALE: 1:1	MASS:	SHEET 1 OF 1

DO NOT SCALE DRAWING